

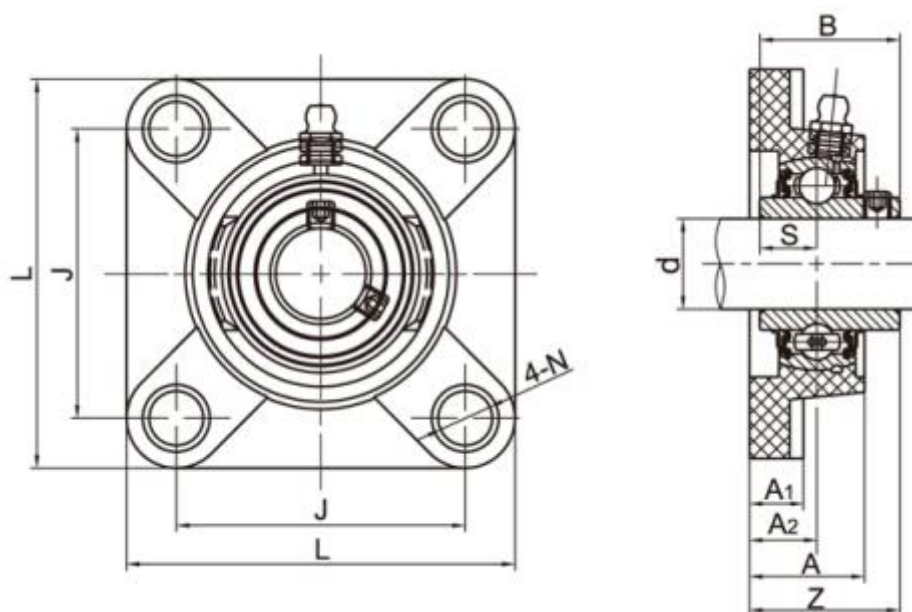
Data Sheet



Article number: 54810632101

Description: 4 hole Flange Unit TP-SUCF210 for shaft $\varnothing 50\text{mm}$
Insert stainless steel, housing Thermoplastic black

Measures



| | |
|------------|----------|
| A = 43 | N = 17 |
| A1 = 21 | S = 19 |
| A2 = 25 | Z = 57.6 |
| B = 51.6 | |
| Bolt = M16 | |
| d = 50 | |
| J = 111 | |
| L = 143 | |